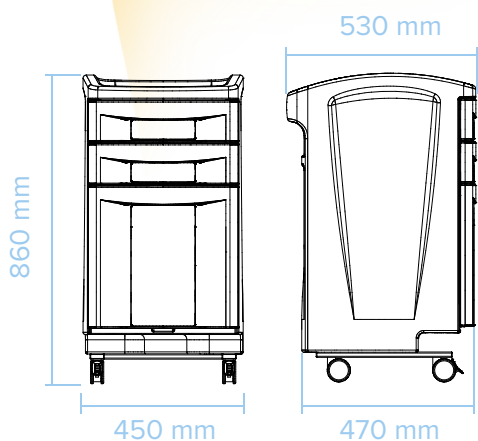


Clarus Range Bedside Cabinets & Overbed Tables



3045
Product weight 21kg

The Clarus range of bedside cabinets and overbed tables brings together the latest innovative design and modern materials to deliver a solution which is practical, robust and cost effective, integrating as one unit to reduce trip hazards and create more space in the modern ward environment.

Clarus bedside tables and overbed tables are configurable to meet specific needs.



3047
Product weight 20kg



3044
Product weight 19kg



3046
Product weight 20kg

Clarus Bedside Cabinets

Standard Features:

- » All drawers are fully removable to aid cleaning
- » Top shelf design retains any spilled liquids
- » Four castors, front castors with locks
- » Rear of cabinet has built in towel support and drinking bottle storage for two 1.5ltr bottles
- » All edges and corners are rounded to aid cleaning
- » 17 colour coding panel options

3045 & 3047 cabinets:

- » Large bottom drawer with 7kg weight capacity
- » Overturn protection system on bottom drawer
- » 3045 versions have two top drawers with 3kg weight capacity each

- » 3047 versions have one top drawer with 3kg weight capacity
- » Non-handed operation, drawers can be operated from both sides

3044 & 3046 cabinets:

- » Large bottom cabinet door which can be configured for right or left hand opening
- » Cabinet door opens to 175° for easy access
- » Internal shelf which is fully removable for easy cleaning
- » 3044 versions have one top drawer with 3kg weight capacity
- » 3046 versions have two top drawers with 3kg weight capacity each

Optional Feature:

- » Lock for top drawer to enable patient medication/valuables to be kept safely



All round curved edges and corners for easy cleaning



Towel rail on back of all cabinets



Bottle storage on back of all cabinets



Lock for top drawer (OPTIONAL FEATURE)



Automatic anti-tilt feature on draw



Internal shelf for 3044 & 3046

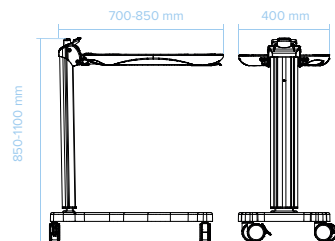
Innovation at its best - integrating with the bedside cabinets to form a space saving solution for modern healthcare environments. Table top folds easily to store away when not required.

Clarus Overbed Tables

Key Features:

- » Folding table top with integral drinking glass support, designed to minimise fluid spills
- » Adjustable table top length from 70cm to 85cm
- » Integral table top tilt function
- » Height adjustable through gas assisted aluminum column from 850mm to 1100mm
- » Four easy glide castors, two with locks.
- » 7kg weight capacity
- » Unique design base for cabinet integration
- » Curved edges and corners to simplify cleaning

- » **3049 Clarus Overbed Table features holder for bottles, glasses and personal belongings**



3049



3048



3048 with integrated cabinet 3044

Product Codes: Bedside Cabinets

Clarus 3044 Bedside Cabinet	3044
Clarus 3045 Bedside Cabinet	3045
Clarus 3046 Bedside Cabinet	3046
Clarus 3047 Bedside Cabinet	3047
Lock for Top Drawer (Bedside cabinets)	3050/LOCK/1

Product Codes: Overbed Tables

Clarus 3048 Overbed Table	3048
Clarus 3049 Overbed Table	3049