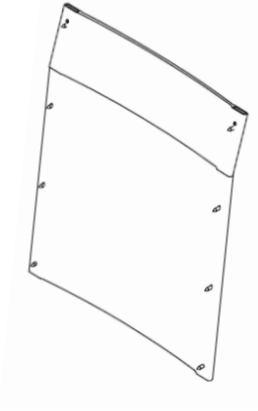


# Bariatric Transport Chair - BTR22

1



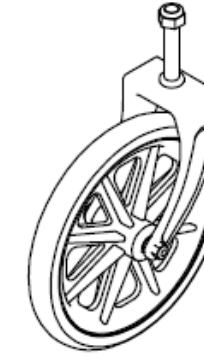
2



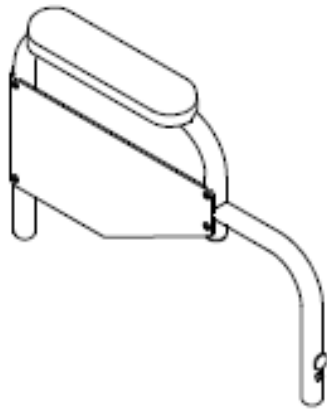
3



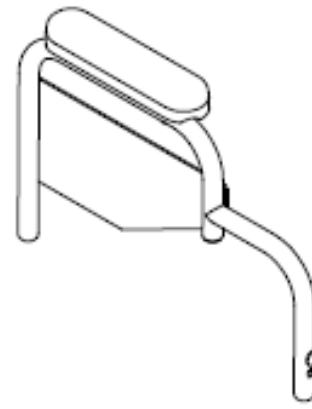
4



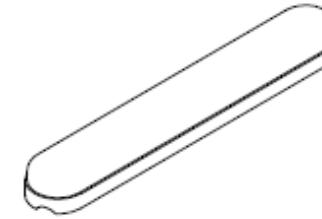
5



6



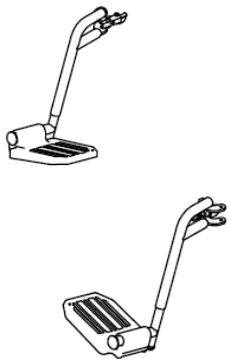
7



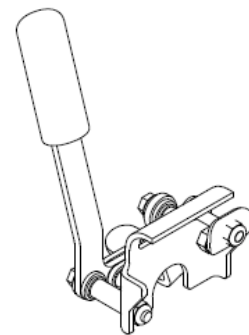
8



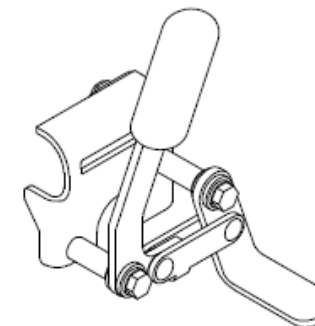
5



6



7



8



1. 22" BACK CANVAS, BTR22  
CODE: Z13290-24
2. 22" SEAT CANVAS, BTR22  
CODE: Z13200-24
3. 12.5" REAR WHEEL, BTR22  
CODE: Z13480-24
4. FRONT CASTOR ASS'Y, BTR22  
CODE: Z13400-24
5. RHS ARMREST ASS'Y, BTR22  
CODE: Z13575-24BLK
6. LHS ARMREST ASS'Y, BTR22  
CODE: Z13525-24BLK
7. VINYL ARM PAD, 26 x 5.6 x 14cm hole spacing  
CODE: Z13531-24
8. INNER DOWN TUBE, BTR22  
CODE: Z13021-24
9. LEG REST (PAIR) BLACK, BTR22  
CODE: Z13600-24BLK
10. RHS BRAKE UNIT, BTR22  
CODE: Z13760-24
11. LHS BRAKE UNIT, BTR22  
CODE: Z13710-24
12. RUBBER STEPPER TUBE, BTR22  
CODE: Z15802-24